

activeMEDICAL

Complex Patient Handling Portfolio

Issue 3





Contents

01. Transfers	5
02. Positioning	12
03. Support	21
04. Lifting	26
05. Weighing	46

We are Here to Help

For over 30 years, Active Medical Supplies has delivered safe and innovative solutions for the care of clients in the Aged Care, Hospital, School and Home Care sectors. We strive to provide the highest quality equipment for Special Schools that provides a safe environment and will withstand the test of time.

We partner with experts in the field of design and manufacturing to provide the very best resources to ensure that your loved ones are provided with the correct equipment to receive optimum care.

We have a commitment to lower our carbon footprint and protect our environment. We utilise our own delivery vehicles and use sustainable materials for packaging to reduce environmental damage. We are also proud to provide beds and equipment with world leading, energy-saving electronics.

For your peace of mind our product is manufactured to very high quality and we have a secure supply chain. 90% of our products are sourced from Australia, Europe, USA, Canada, United Kingdom, Spain, India, Sweden, Vietnam and Taiwan.

Procurement & Distribution

Active Medical has developed a network of manufacturers in Australia and around the world – from Germany and Sweden to the United States of America and consults directly with industry professionals to ensure the products we provide responds to unique patient specifications.

The success of our business is supported by our ability to collaborate with manufacturers that not only provide the highest quality of products and services, but are aligned with our mission and commitment to our social,

corporate and environmental responsibilities.

Our efficient distribution systems are underpinned by our strong relationships with manufacturers and two centralised warehouses with a capacity to hold up to 50,000 items. This ensures the fast turn around and on time delivery demanded by the health care industry and the needs of people in care. We ensure that all our products are ethically sourced and supplied and meet environmental standards.



Did you know...



We sanitize **all products** that leave our warehouses



We offer full product **demonstrations and video trials**



We offer **contact free delivery**



Our staff are **double vaxxed** with boosters



Our showroom is a **controlled environment** that we can also offer trials

*Disclaimer

Active Medical Supplies does not take responsibility for incorrect application of products. This publication is a guide only to assist in selecting products suitable to your clients. Please use in conjunction with professional advice. Products and information listed in this catalogue are subject to change. Website and digital information supercedes all print. For the most up to date information, please contact us directly.

01.

Transfers

EasyGlide Transfer Board	6
EasyGlide Transfer Board	6
Oval Slide Board	6
Staelbe Bed Transfer Assist	7
Staelbe Disposable Rolling Slide	7
Staelbe Transfer Board Slide	8
Staelbe Patient Transfer	8
Staelbe Transfer Platform	9
Staelbe Transfer Belt	9
Staelbe Salsa 200 Standing Lifter	10
Staelbe Salsa Standing Sling	11

NDIS



EasyGlide Transfer Board

The flexible three-part sliding board is easy to place in front of the wheels of a wheelchair to protect against soiling during a sliding transfer. The smooth top surface makes it easy to move and provides for easy transfers while the double anti-slip tape on the underside prevents the board from sliding during transfer. It is especially suitable for levelling out height differences or for bridging short distances.

- Anti-slip protection on the underside provides for safety and security.
- The long sides can be folded to protect clothing from the wheelchair's wheels.



Specifications:

Product Code	215020
Width	330 mm
Length	600 mm
Thickness	5 mm
SWL	135 kg

Sizes Available:

Product Code	215050
Width	330 mm
Length	750 mm
Thickness	6 mm

NDIS



EasyGlide Transfer Board

The sliding board EasyGlide is an ingenious invention. The board helps transfer sitting users from wheelchairs to beds, toilets, car seats and many other seated positions. It is especially suitable for levelling out height differences or for bridging short distances.

The smooth top surface makes it easy to move and provides for easy transfers while the double anti-slip tape on the underside prevents the board from sliding during transfer. EasyGlide is easy to transport and convenient to always have close at hand.

EasyGlide is made of strong polyethylene and is available in different sizes. The longer versions are especially suitable for transfers from wheelchair to car.

- Anti-slip protection on the underside provides for safety and security.



Specifications:

Product Code	215060
Width	250 mm
Length	600 mm
Thickness	5 mm
SWL	135 kg

Also Available:

Product Code	215070
Width	200 mm
Length	450 mm
Thickness	5 mm

NDIS



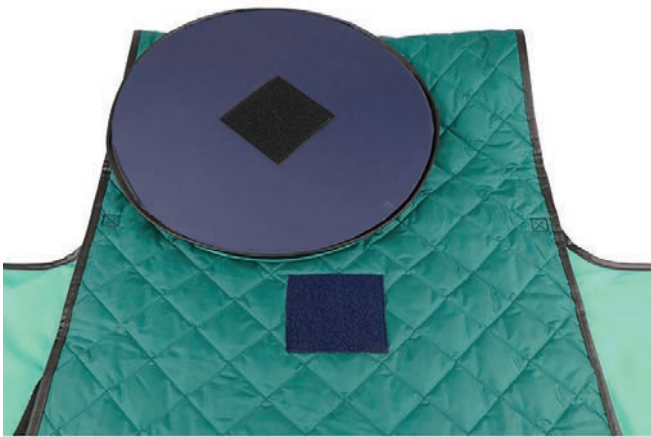
Oval Slide Board

This EasyGlide black oval board can be used for horizontal transfers or to assist in repositioning. It is also ideal to assist in placement of a sling. Used in pairs and placed behind the patients back, the sling can be inserted in between the two slides. Due to the 3mm thickness it is then simple to remove both boards.



Specifications:

Product Code	215040
Width	390 mm
Length	850 mm
SWL	135 kg



Staebel Bed Transfer Assist

The Bed Transfer Assistant has been designed to assist in supporting the lower limbs during functional transfers.

Simple and brilliant, our Bed Transfer Assistant allows one carer to safely raise a person's legs and swivel them around into bed and vice versa!

- Cotton upper for comfort.
- Raising legs and swivelling in a sitting position by a single carer



Specifications:

Product Code	210315
Width	600 mm
Length	640 mm
Thickness	30 mm
SWL	100 kg

Staebel Disposable Rolling Slide

The Disposable Procedure Slide is a simple slide sheet that allows health professionals to easily move patients into the lithotomy position, ready for surgery. It is ideal for head-down procedures where the patient is positioned at an incline of up to 25 degrees. Those who work in Gynaecology will find the Disposable Procedure Slide hugely beneficial as it allows medical practitioners to:

- Slide a patient into a precise position (fine adjustments achievable), usually the Trendelenburg position
- Lock patient position with the sheet's unique and integral locking panels
- Position patients at inclines up to 25 degrees, facing head-down
- Adjust patient position mid-surgery
- Slide patients back up the operating table post-surgery
- Disposable slides help teams uphold excellent infection control
- Slippery material enables easy patient repositioning
- Integral locking pads ensure absolute safety and security
- Can remain under the patient
- 25 per pack



Specifications:

Product Code	210134
Width	1000 mm
Length	2000 mm

NDIS

NDIS

MASS



Staebel Transfer Board Slide

The Transfer Board Slide is a simple low-cost device that allows for a sitting transfer across the board without risk of shearing/induced tissue damage.

This is a wonderful little product to use with any sitting transfer board and makes sure that the slide across is what it should be – effortless. Just pop it on top of your board, tuck it under your bottom a little and sliding from one surface to another will be plain sailing.

Simple and highly effective, this Transfer Board Slide is only as wide as the board itself and has a panel of antislip that grips the top of the board.

- Transferring from one sitting surface to another
- Helping people move, both independently or with assistance

Staebel Patient Transfer

The Staebel Patient Transfer Device is the perfect solution for safe transfer or a patient or resident within the home or facility. This is your all-in-one solution without the need for additional lifting straps and belts, and promoting independence. The width adjustable base allows good access to most seating, whilst also designed for good access beneath beds etc.

- An assistance device for transferring user
- Specially designed to make sit-to-stand and transfer situations easier for both clients and caregivers
- Easy to manoeuvre
- Developed to facilitate work in confined spaces and it requires less effort than conventional lifting



Specifications:

Product Code	210360
Width	300 mm
Length	700 mm



Specifications:

Product Code	212145
Seat Width	450 mm
Overall Width	640 mm
Overall Length	930 mm
SWL	150 kg

Also Available:

Product Code	212147
SWL	220 kg

NDIS

MASS



NDIS

MASS



Staelbel Transfer Platform

Staelbel Transfer Platform is a manually-operated device designed as a platform for use by healthcare professionals to assist in the physical moving (transfer) of a patient in an upright (standing) position over a short distance. The device consists of a wheeled platform, a surrounding framework, kneepad and handlebar. It can include safety belt, to hold the person being transferred in the standing position.

Staelbel Transfer Belt

Staelbel Transfer Platform Belt is used with the Staelbel Transfer Platform when more support and stability is needed, for instance when the user's weight-bearing ability is questionable or varied. Staelbel Transfer Platform Belt can also be used stand alone for sit-to-stand transfers.

- Anti-slip inner surface
- 170kg SWL
- Sizes available, XSmall, Small, Medium, Large, XLarge and XXLarge
- Each size is colour coded for easy identification



Specifications:

Product Code	212150
Width	620 mm
Height	1180 mm
SWL	150 kg

Specifications:

Product Code	212152M
Size	Medium
Width	210 mm
SWL	170 kg

Also Available:

Product Code	212152XS	212152S	212152L	212152XL	212152XXL
Size	Extra Small	Small	Large	Extra Large	Extra Extra Large
SWL	170 kg	170 kg	170 kg	170 kg	170 kg

NDIS

MASS



Staebel Salsa 200 Standing Lifter

Designed as an active standing aid allowing a single carer to raise a patient into a comfortable secure standing position. The Salsa 200 is ideal for transferring from bed to chair, or chair to commode. Staebel Concepts standing slings are manufactured to suit the Salsa, allowing superior access for dressing and personal hygiene.

With a small footprint and low overall weight, the Salsa 200 is highly manoeuvrable. A high capacity safe working load of 200kg means the Salsa is equally at home in an institutional or home environment.

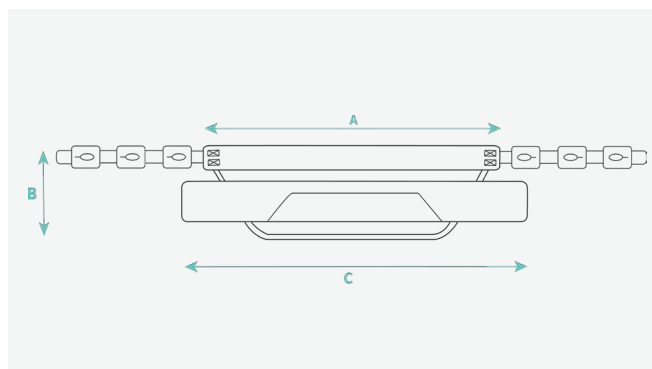
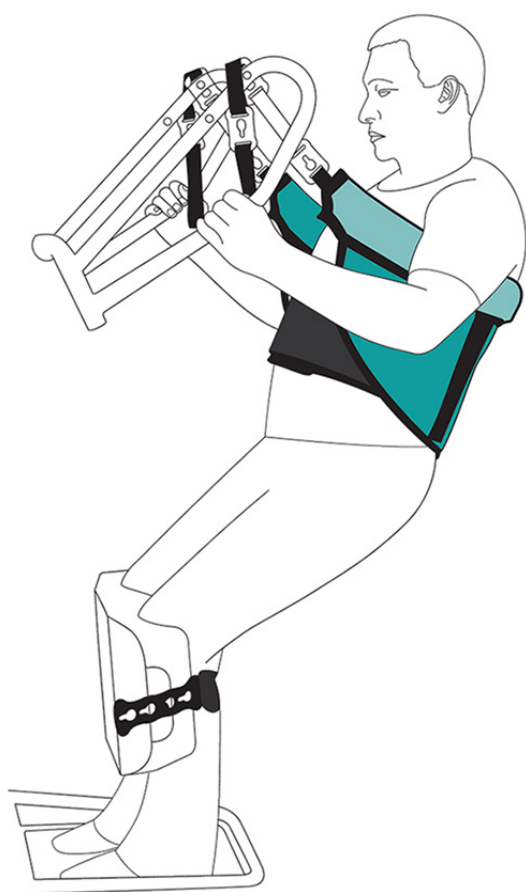
Designed and tested to comply with: AS ISO 10535-2002 Hoists for the transfer of disabled persons – Requirements and test methods.

Refer to pg. 11 for Salsa Sling



Specifications:

Product Code	27700	Minimum Height Lift Arm	880 mm
Base Length	1010 mm	Maximum Height Lift Arm	1685 mm
External Base Width Closed	665 mm	Under Base Height	55 mm
External Base Width Open	1030 mm	Lifter Weight	51 kg
Internal Base Width Closed	565 mm	Minimum Storage Height	1190 mm
Internal Base Width Open	930 mm	Footplate	Removable
Base Width Adjustment	Electric	Kneepad	Height Adjustable
Under Bed Clearance	130 mm	SWL	200 kg



Staebel Salsa Standing Sling

The Salsa sling is for use with the Salsa stand up hoist. It features optimum back support and under arm padding for a safe and comfortable lift and also allows for the easy removal of clothing for toilet transfers.

The Staebel Salsa sling features a torso band for security and stability with Buckle (b) or Velcro v(v) fastening.



Specifications:

Buckle Fastening

Product Code	27701	27702	27703	27704
Size	Small	Medium	Large	Extra Large
A	730 mm	880 mm	1060 mm	1220 mm
B	260 mm	290 mm	370 mm	410 mm
C (b)	900 mm	960 mm	1020 mm	1220 mm
C (v)	1140 mm	1180 mm	1320 mm	1440 mm

Velcro Fastening

Product Code	27705	27706	27707
Size	Medium	Large	Extra Large
A	880 mm	1060 mm	1220 mm
B	290 mm	370 mm	410 mm
C (b)	960 mm	1020 mm	1220 mm
C (v)	1180 mm	1320 mm	1440 mm

02.

Positioning

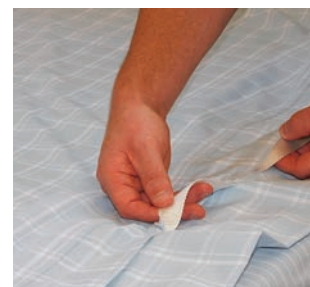
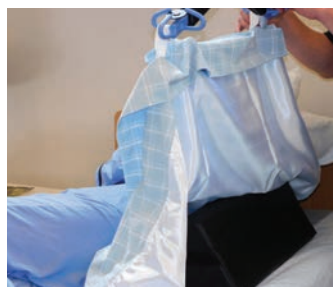
Staebel In Bed Turner 4-way with Handles	13
Staebel In Bed Turner Base Sheet	14
Staebel ComfortCare Bed Top Sheet	15
Staebel ComfortCare Bed Base Sheet	15
Staebel One Way Slide & Lock	16
Staebel One Way Slide & Lock - Open Ended	16
Staebel Perfect Positioner	16
Staebel Anti Shear Mattress Cover	17
Staebel Slideezi with Handles	17
Staebel Slideezi Support Straps - Pair	18
TopSheet Complete	18
Premium Slidesheet	19
Deluxe Slidesheet	19
Staebel Sure Foot Pad	20
Staebel Car Assist	20



Staebel In Bed Turner 4-Way with Handles

InBed Turner 4-Way with Handles allows safe and easy repositioning for people in bed – enabling them to turn from side to side and move up and down, with or without the aid of a hoist. They are designed for more dependent users who need assistance in bed, often from a single carer, and are designed to be used on top of one of our InBed Turner Base Sheets. They do not work on their own.

- Can remain under the patient at all times.
- Great for those who need multi positioning in bed – up / down and turning.
- Reduces risk of tissue and nerve damage.
- Helps to reduce incidence of pressure sores developing.
- The combination of both silky smooth satin panels working with each other mean easy, quiet and safe movements.
- Cotton and polyester mix for great comfort and repeated washing.
- Washable to 90C.
- Four-way movement in all directions for patient care.
- Allows more dependent people to be moved in comfort and safety.
- Cotton and satin fibres make for comfortable in-bed experience.
- Choice of torso or full length models.
- Available with or without handles for attachment to hoists.
- Main sizes are all 200cm wide, allowing the sheet to be tucked in after repositioning, increasing patient security.



Specifications:

Product Code	210322
Width	1400 mm
Length	2000 mm
SWL	300 kg

Also Available:

Product Code	210324
Width	2000 mm
Length	2000 mm
SWL	300 kg



Staebel In Bed Turner Base Sheet

The InBed Turner Base Sheet is part of our renowned satin range for in-bed repositioning and patient care. All InBed Turner Base Sheets allow safe and easy repositioning for people in bed enabling them to turn easily from side to side but not slip down. Extra safety is provided by the striped cotton edges on all of our Base Sheets. They can be used on their own or combined with one of our Satin Top Sheets for those who need more in bed repositioning care.

- Reduces risk of tissue and nerve damage
- Helps reduce pressure sores developing
- No training required
- Easy turning and repositioning with little effort
- Great for those having difficulty turning in bed
- Washable
- Full length or midi length satin
- Central satin panel is smooth for ease of movement
- Anti-slip cotton polyester on edges reduces risk of slipping
- Cotton polyester for enhanced comfort and repeat washing



Specifications:

Product Code	210321
Size	Single
Width	900 mm
Length	2000 mm
SWL	300 kg

Also Available:

Product Code	210323	210325
Size	King Single	Double
Width	1050 mm	2000 mm
Length	2000 mm	2300 mm
SWL	300 kg	300 kg



Staebel ComfortCare Bed Top Sheet

The ComfortCare is an in-bed sliding system for the care of the long term or 24 hour patient. The amazing ComfortCare offers patients 100% comfort and carers the ability to manoeuvre and reposition them in all directions with ease and then secure that position when needed.

- Moves a patient in all directions
- The locking panel will hold the patient steady
- Offers patients comfort and dignity
- Patients can remain on this indefinitely, either directly or under a cotton bed sheet
- Carers can re-position and manoeuvre patients without the need to disturb or handle directly
- Reduces risk of injury to carers
- Enhances patient care and clinical outcomes
- Suitable for use with hoists
- Easy to use
- Polycotton system, with low-friction inner linings
- Two panel system enables up/down manoeuvres, turning, swivelling, sitting up safely, transferring and turning into prone position
- Integral locking panel means safe position can be secured, even in sitting
- Suitable for single carers
- Washable at 40°C to 80°C and low temperature tumble dry
- Spare panels available

Staebel ComfortCare Bed Base Sheet

The ComfortCare is an in-bed sliding system for the care of the long term or 24 hour patient. The amazing ComfortCare offers patients 100% comfort and carers the ability to manoeuvre and reposition them in all directions with ease and then secure that position when needed.

- Moves a patient in all directions
- The locking panel will hold the patient steady
- Offers patients comfort and dignity
- Patients can remain on this indefinitely, either directly or under a cotton bed sheet
- Carers can re-position and manoeuvre patients without the need to disturb or handle directly
- Reduces risk of injury to carers
- Enhances patient care and clinical outcomes
- Suitable for use with hoists
- Easy to use
- Polycotton system, with low-friction inner linings
- Two panel system enables up/down manoeuvres, turning, swivelling, sitting up safely, transferring and turning into prone position
- Integral locking panel means safe position can be secured, even in sitting
- Suitable for single carers
- Washable at 40°C to 80°C and low temperature tumble dry
- Spare panels available



Specifications:

Product Code	210295
Width	1400 mm
Length	2000 mm
SWL	200 kg



Specifications:

Product Code	210296
Width	900 mm
Length	2000 mm

NDIS

NDIS

NDIS



Staebel One Way Slide & Lock

The One Way Slide & Lock are designed to allow carers to help a user slide to the back of a chair or wheelchair and not be able to

slide down. Handles are positioned equally along the length of the product and carers can use the handles directly or attach extension straps to the handles, to prevent them having to bend down.

- To help people to sit back properly in chairs or wheelchairs without sliding back down. People independently, or with assistance by one or two carers depending upon need
- Prevent people sliding down in wheelchairs, chairs and beds
- Improves people's seating posture and comfort
- Allows people to be positioned further back in a chair
- Increases people's independence
- Can be used unassisted or with assistance



Specifications:

Product Code	210190
Width	460 mm
Length	380 mm

Also Available:

Product Code	210191
Width	550 mm
Length	700 mm

Staebel One Way Slide & Lock- Open Ended

The One Way Slide and Lock are designed to allow carers to help a user slide to the back of a chair or wheelchair and not be able to slide down. Handles are positioned equally along the length of the product and carers can use the handles directly or attach extension straps to the handles, to prevent them having to bend down.

- To help people to sit back properly in chairs or wheelchairs without sliding back down. People independently, or with assistance by one or two carers depending upon need
- Prevent people sliding down in wheelchairs, chairs and beds
- Improves people's seating posture and comfort
- Allows people to be positioned further back in a chair
- Increases people's independence
- Can be used unassisted or with assistance



Specifications:

Product Code	210193
Width	450 mm
Length	380 mm

Also Available:

Product Code	210194
Width	550 mm
Length	700 mm

Staebel Perfect Positioner

Originally designed to help reposition a tetraplegic in a moulded wheelchair, this unique handling device has been redesigned and now enables carers to easily and comfortably reposition the user (once hoisted into the wheelchair) accurately at the back of the chair and ensure their pelvic tilt is correct.

- Especially useful in moulded and specialised wheelchairs
- Correct sitting position in wheelchairs
- Accurate pelvic tilt
- One carer or two



Specifications:

Product Code	210340
Width	900 mm
Length	2000 mm



Staebel Anti Shear Mattress Cover

A simple answer to the problem of constantly putting slide sheets in and out – lightweight and easy to use. You will love the Anti Shear Mattress Cover's simplicity as it makes it so much easier to adjust someone's position without disturbing them and really reduces the risk of injury for staff.

Thinner than a bed sheet, this product fits over the mattress and does not impinge on any pressure reducing qualities the mattress may have. You can sit the client/patient up in bed without the risk of them slipping down, and it only becomes fully slippery when you introduce a flat slide sheet on top to perform the manoeuvre that needs to be performed.

Just place the Anti Shear Mattress Cover over the bed mattress and, if you want to, put the normal bed sheet on top, tucking it in. When you need to reposition someone, untuck the bed sheet and unroll a flat slide sheet in between the Anti Shear Mattress Cover and bed sheet (without disturbing the patient) and use this to achieve a new position. Then slip out the slide sheet easily, retuck the bed sheet and your patient will be comfortable.

- Specialist technical fabric is fully breathable, lightweight and quiet
- Fabric is thinner than a bed sheet and will not impinge on pressure reducing qualities of mattresses
- Light-weight and compact
- Washable at 40°C to 74°C
- When using the base sheet to lie on, independent people can turn more easily in bed
- Breathable fabric means that people will not sweat or get too hot – as can happen with other systems



Specifications:	
Product Code	210290
Width	900 mm
Length	2000 mm



Staebel Slideezi with Handles

The Slideezi with Handles are manufactured using an ultra-slippery material developed by pioneering fabric specialists Slideezi®. While one side of the slide sheet is luxuriously soft to offer maximum comfort and quietness, technically advanced fibres give the other side a slippery finish, ideal for repositioning a patient in a bed or trolley.

The Slideezi with Handles allow health professionals to effortlessly manoeuvre patients/clients into a virtually endless list of positions so that they can remain comfortable at all times. Whether patients are using a bed or a trolley, health professionals can use the slide sheets to turn patients into comfortable positions and also transfer them from one surface to another.

- Superb slideability on both sides for ease of use
- Easy to insert and remove
- Superb comfort for patient during repositioning
- Quiet and soft for improved patient experience
- Fabric is manufactured using advanced technical fibres
- Effortless and easy repositioning
- Used in pairs for best performance



Specifications:	
Product Code	210432
Width	700 mm
Length	1700 mm
SWL	300 kg

Also Available:	
Product Code	210429
Width	1200 mm
Length	1700 mm

NDIS

NDIS



Staebel Slideezi Support Straps - Pair

These Support Straps are used to reduce the risk of over-stretching and reaching in frequent supine transfers.

No need to launder reducing the chance of losses.

A new concept in support straps, these can be wiped down and/or washed in soapy water, rinsed and then left to dry. Used to reduce the risk of over-stretching and reaching in frequent supine transfers, they simply clip onto the handles of the flat Slideezi with handles and other patient handling equipment.

- For use in supine transfers
- Reducing the risk of overreaching and stretching



Specifications:	
Product Code	210064
Width	50 mm
Length	750 mm
SWL	100 kg

TopSheet Complete

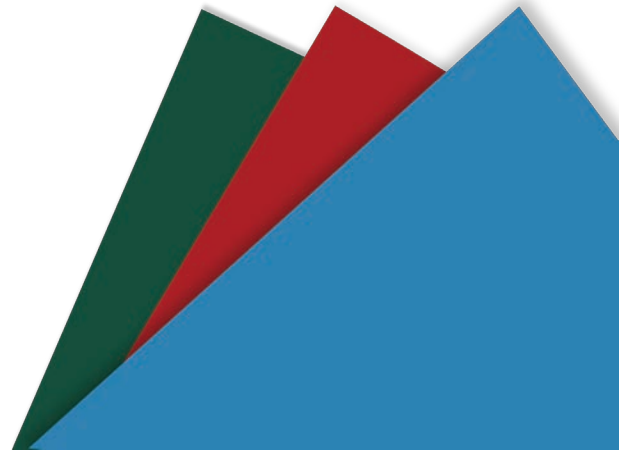
TopSheet is a combined turning device and incontinence protection. TopSheet is used for incontinent, bedridden users who must be turned often. TopSheet is also an excellent aid when you need to hold a heavy user in a lateral position, for instance when assisting with personal hygiene or dressing wounds. TopSheet is also very suitable when a nervous, demented user in palliative care needs turning, as the process is calm and gentle and the load is spread over the entire body area.

- TopSheet is made of a super-absorbent material. The surface always feels dry to lie on, which helps prevent pressure sores. The underside has a PU-coated moisture resistant membrane that prevents moisture from spreading further down to the sheets and mattress.
- TopSheet is available in different versions, with or without friction-reducing material (ULF) on the reverse, and in several different types of materials.
- TopSheet is used together with a stationary or mobile lift to avoid heavy manual handling when turning a user. TopSheet satisfies high hygiene requirements and is washable at 90°C.
- The surface is soft and yielding brushed polyester for maximum use comfort. Super absorbent surface material absorbs body fluids.
- A moisture barrier on the reverse side prevents moisture from being transferred to the sheet and mattress.



Specifications:	
Product Code	211520
Width	1440 mm
Length	1400 mm
SWL	250 kg

Also Available:	
Product Code	211510
Width	2000 mm
Length	1600 mm



Premium Slidesheet

The ideal solution when transferring or repositioning patients across, up or down the bed. Made from a strong, non flammable silicone coated polyester taffeta these premium quality sheets retain their slip for over 150 machine washes.

Large identification label sewn into edge to allow care facilities to allocate by unit and identify age

- Can be machine washed to 75°C
- Slip consistently in all directions/both sides
- TGA Registered product

Deluxe Slidesheet

The ideal solution when transferring or bed repositioning patients across, up or down a bed. Reduces risk injury by assisting sliding, rather than lifting. Made from strong, non flammable, nylon fabric our slide sheets will not use their slippery quality or colour even after numerous washes. Can be machine washed to 50 degrees Celcius, tumble dried to 60 degrees Celcius and even ironed on a cool setting.

Available colours:

- Blue 2434B
- Green 2434G
- Red 2434R
- Orange 2434O

Specifications:

Product Code	2433
Width	2000 mm
Length	1450 mm

Also Available:

Product Code	2441R
Width	2000 mm
Length	1500 mm

Specifications:

Product Code	2434
Width	1450 mm
Length	2000 mm

NDIS

NDIS



Staelbel Sure Foot Pad

The Sure Foot Pad is a really helpful, inexpensive answer to the problem of feet slipping, on the floor or in bed.

Suitable for use on the floor or in bed, this Sure Foot Pad is designed as a safety aid that helps to prevent feet slipping. It can be used to stand on when sitting or rising from a chair, or it can be used with a slide sheet to aid movement in bed or with a Slide & Lock to aid movement in a chair. A helpful aid for more independent living, it is hard wearing and easy to clean.

Simply place the foot pad on the surface you need to gain more grip on and your feet won't slip. You will love its simplicity because it gives you so much independence and is also a really useful aid for rehabilitation.

Ideal for use with small slide sheets to slide further up the bed or on the floor, on its own or with products such as Slide & Locks. In fact there are so many places that you can use this product, some people even have two; those for the floor and those for use in bed!

- Gaining more floor grip with your feet
- Helping people be more independent
- A rehabilitation aid



Specifications:

Product Code	210001
Width	400 mm
Length	480 mm



Staelbel Car Assist

Staelbel Car Assist is simple and easy to use device to allow access into and out of the car seat. There are handles on each side of the Staelbel Car Assist to allow the carer to provide assistance if required. Comes standard with a seat belt to secure to the Staelbel Car Assist to the car seat, to prevent sliding while in motion.

- Easy to install.
- Robust handles enable carers to provide assistance.
- Secure fitting in the car seat prevents users from sliding forward
- Soft, padded surface provides comfort



Specifications:

Product Code	210490
Width	450 mm
Length	450 mm

03.

Support

Staebel Support Walk Belt	22
Walk Belt	22
Staebel Easy Hands	23
Staebel Easy Dress Arms	23
Staebel Easy Dress Legs	24
Staebel Easy Dress Kit	24
Staebel Knee Cushion	25
Staebel Safemove	25
Staebel In Bed Sit Support	25

NDIS



Staebel Support Walk Belt

A supportive Belt to help with transferring or walking. The ergonomically designed handles enable the care giver to hold the patient close without the need to grab clothes.

Ranging from Small to Large (adult sizes) this wonderful range of comfortable and supportive belts means that getting close to your patient has never been easier.

Simply place the belt around the person's waist, adjust to fit and then buckle. The ergonomically designed handles are perfectly located for user comfort and functionality. The belt is also washable.

- Helping a person from sitting to standing and vice versa
- Walking
- Supporting
- Helping whilst transferring on a sitting transfer board
- Comfortable to wear
- Give a feeling of added security
- Easily adjusted to fit



Specifications:

Product Code	210082
Size	Small
Width	250 mm
Length	730 - 910 mm

Also Available:

Product Code	210083	210084
Size	Medium	Large
Width	250 mm	250 mm
Length	880 - 1040 mm	1040 - 1170 mm

NDIS



Walk Belt

The Walk Belt is designed to assist with the safe transfer and ambulation of the client. The construction of the Walk Belt is of nylon and cotton with the inside lining a slip resistant material to minimise the risk of the belt riding up during use.

The belts are 25cm wide and fasten with Velcro. Available in Small, Medium, Large and X-Large.



Specifications:

Product Code	2501S
Size	Small
Width	250 mm
Length	690 - 930 mm

Also Available:

Product Code	2501M	2501L	2501XL
Size	Medium	Large	Extra Large
Width	250 mm	250 mm	250 mm
Length	850 - 1100 mm	900 - 1170 mm	1080 - 1330 mm



Stael Easy Hands

These silicon coated nylon slippy gloves are designed for carers and can be used to make patients/service users much more comfortable in many ways. For example: skin smoothing, positional adjustments and inserting slings etc.

- Technically designed fabric means the gloves slide easily on the outside but will not slide off the users hands
- Easy to slide under patients for improved patient care
- Can be used for a multitude of patient care tasks:
 - Skin smoothing
 - Tucking in sheets
 - Adjusting patient clothing
 - Moving pillows
 - Inserting slings etc
- Supplied in pairs
- Slippy outer and grippy inner material
- Fits to elbow



Specifications:

Product Code	210339
Width	200 mm
Length	520 mm



Stael Easy Dress Arms

A pair of long slippy sleeves that can slide over a person's arm and ease the putting on of upper body garments.

For best practice: The sleeves work especially well with a flat slide sheet underneath the bed bound person to facilitate the slide.

- Help carers put a shirt, blouse or jumper on a bed bound person/child or someone who requires a lot of assistance



Specifications:

Product Code	210159
Size	Medium
Width	1070 mm
Length	280 mm

Also Available:

Product Code	210161
Size	Large
Width	270 mm
Length	1090 mm

NDIS

NDIS



Staebel Easy Dress Legs

A pair of long slippy leg sleeves that can slide over a person's legs and ease the putting on of lower half garments.

For best practice: The sleeves work especially well with a flat slide sheet underneath the bed bound person to facilitate the slide.

- Help carers put trousers/pyjamas on a bed bound person/child or someone who requires a lot of assistance



Specifications:

Product Code	210160
Size	Medium
Width	340 mm
Length	1200 mm

Also Available:

Product Code	210162
Size	Large
Width	360 mm
Length	1300 mm

Staebel Easy Dress Kit

Getting dressed in bed has never been easier – the Easy Dress Kit enables dignified dressing for patients who need carer assistance.

This Easy Dress Kit is a complete set of in-bed dressing aids that enables one or two carers to dress a patient/client fully in bed. Where dressing is difficult or uncomfortable, they enable easy dressing and promote patient dignity.

- 2 x Easy Dress Legs
- 2 x Easy Dress Arms
- 1 x Flat Sheet (folded in a handy storage bag)
- Easy dressing aid for carers to clothe a person in bed
- Suitable as an aid for an individual who can clothe themselves but require a little help
- Super Slippy fabric for extra ease
- Available in Washable and disposable material
- Available in Standard (one size fits all)
- Washable 40° to 74° and low tumble dry
- Replacement parts available if lost



Specifications:

Product Code	210153 (Complete Kit)
--------------	-----------------------



Staebel Knee Cushion

The Knee Cushion will provide a comfortable cushion for those who spend a long time kneeling as part of their job and/or find it painful to kneel on the floor.

Our Knee Cushions can be used on any floor surface, inside or out, and will provide a clean and comfortable surface to kneel on whilst protecting and insulating your knees.

They are completely sealed and have been welded to ensure that they are easy and safe to wipe down.

There is no need to send these Knee Cushions to the laundry or worry about cross-infection.



Specifications:

Product Code	210250
Diameter	450 mm
Thickness	40 mm



Staebel Safemove

The Safemove has been developed with practitioners and allows radiotherapists to position their patients far more precisely than has been possible until now.

Positioning patients for laser precision has always been difficult and achieving that specific position can be uncomfortable and awkward for the patient and extremely hard, tiring and heavy work for staff. It can result in potential skin damage to patients and injury risk to staff. However, by placing the Safemove under the patient (breast or pelvic areas), staff can use the straight and/or curved handles to much more easily re-position their patients to line up precisely with the lasers.

- No need to manually handle patients
- Reduced risk of tissue damage



Specifications:

Product Code	210317
Width	370 mm
Length	620 mm



Staebel In Bed Sit Support

This easy-to-attach bed ladder allows patients to maintain control as they sit up and lie down. Patients who would otherwise struggle to manoeuvre themselves gain a whole new level of independence with the bed rope ladder, allowing them to reposition themselves safely and easily.

You will love how simple this multicoloured functional webbing ladder is to attach. No knots to ties or worry about. Just loop it through itself and then use the different coloured rungs to help you as you sit up or lie down. Ideal if you want to maintain your independence and just need a little more help or if you are going through a process of rehabilitation.

- To help people sit up/lie down independently and in a controlled manner



Specifications:

Product Code	210440
Width	160 mm
Length	1880 mm
SWL	300 kg

04.

Lifting

Staebel Emergency Lifting Kit	27	Staebel Pivot Care Sling	38
Staebel Lifting Sheet	27	Staebel General Purpose Sling with Head Support	39
Staebel Neos 150 Patient Hoist	29	Staebel General Purpose Sling	40
Staebel Sonata 150 Patient Hoist	30	SugarGlider Transport Trolley	41
Staebel Alto MKII 200 Patient Hoist	31	Flexi-Link Arm Reacher	41
Staebel Forte 320 Patient Hoist	32	SugarGlider Nomad Portable Ceiling Hoist	42
Hoist Accessories	33	SugarGlider Monarch Portable Motor	43
Staebel Universal Deluxe Sling with Head Support	36	SugarGlider Monarch In Track Motor	43
Staebel Pivot Sling	37		



Staebel Emergency Lifting Kit

An answer to the problem of handling a collapsed person in a number of situations – in a tight space, on the floor or in bed.

This specially designed pack contains all the equipment you will need, especially where there is no mechanical aid available. For example:

- Arrest in bed or in a chair
- Collapsed in an awkward corner or tight space.
- Collapsed on the floor and no mechanical hoist or lifting mattress available to lift off the floor.

Designed in line with the Guidelines for Safer Handling during Resuscitation in Healthcare Settings this exclusive pack contains:

- 2 x Slideezi + Handles
- 1 x Rolling Slide
- 1 x Lifting Sheet
- 2 x Support Straps

Staebel Lifting Sheet

The Lifting Sheet offers the ultimate falls management solution for transporting an injured person from the site of a car accident or other emergencies.

No stretcher hoist? No way to lift a person safely? Look after your staff and patients by providing them with this inexpensive lifting sheet, designed to protect both patients and health professionals during lifting procedures.

The Lifting Sheet is a lightweight falls management solution, ideal for use when health professionals need to raise someone from the floor in a horizontal position. Designed in conjunction with the Guidelines for Safer Handling during Resuscitation in Healthcare Settings, the lifting sheet is perfect for post-resuscitation transfers where a stretcher hoist is not available to move the patient from the floor onto a bed or trolley.

- Lightweight solution when no stretcher hoist is available
- Robust design supports patients weighing up to 150kg
- Washable at 74°C
- Waterproof
- Fire-retardant
- Can remain under patient



Specifications:

Product Code 210140 (Complete Kit)




Specifications:

Product Code	210138
Width	800 mm
Length	1950 mm
SWL	150 kg





What is a Hoist?


Hoists are designed to assist with the manual handling of residents & patients. They're here to help reduce the risk of injury to carers, nurses and doctors. They are also portable and easy to move which allows for the safe movement of patients from one place to another. They are commonly used for shorter transfers such as bed to chair.

Pick your Hoist!

 <p>Choose Model</p>	Staebel Forte 320	Staebel Salsa 200	
	Staebel Alto 200	Staebel Neos 150	
	Staebel Sonata 150		
 <p>Choose attachment style</p>	Four Point Yoke	Standard Yoke	Tri Hook Yoke
	Powered Pivot Frame	Standard Yoke with Weigh Scale	Bariatric 4 Point Yoke
	Pivot Frame with Weigh Scales	Powered Pivot Frame with Weigh Scales	Bariatric 4 Point Yoke with Weigh Scales
 <p>Accessories</p>	Plastic Leg Protector	Sling Bag	
	Staebel Salsa Handle Kit	Quick Release Adaptor	
	Low Leg Height	Weighing Device	
	Battery Replacement	Handset Replacement	

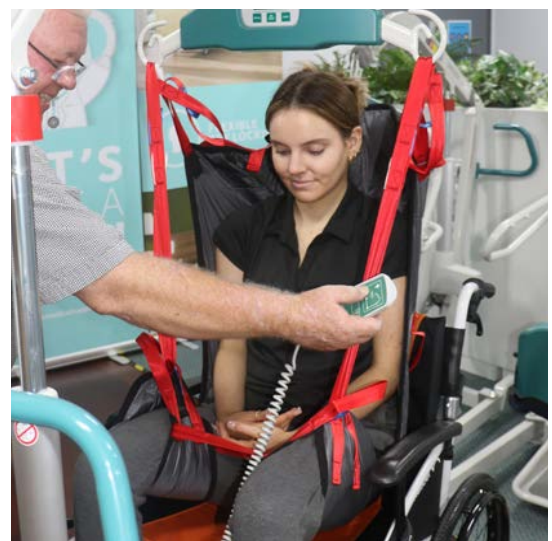
Pick your Sling!

 <p>Choose your material</p>	 <p>Mesh</p>
	 <p>Fabric</p>
	 <p>Parasilk</p>



Choose Sling style

Depending on the model of hoist, choose the appropriate sling style. **Contact the team for more information on choosing the right sling!**

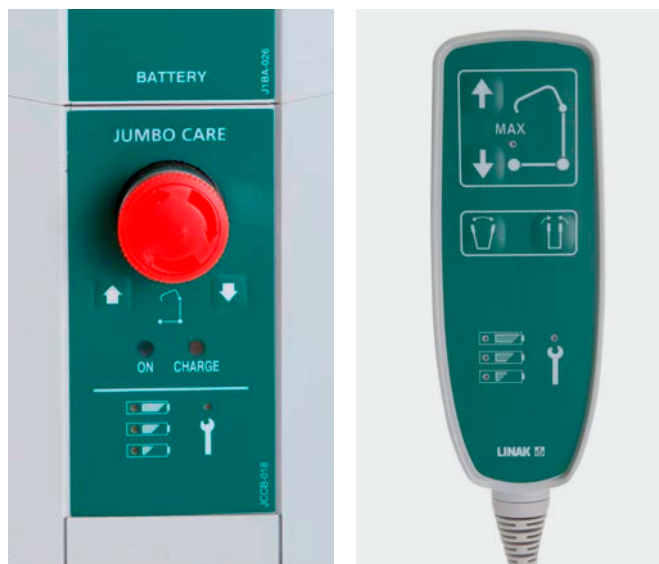


Could not find the information you were after?

Contact our team for a consultation for more hoist options!

NDIS

MASS



Featuring Linak Jumbo Care advanced diagnostic control system.



Staebel Neos 150 Folding Hoist

The NEOS 150 Folding is a compact ergonomic designed medium sized heavy duty mobile patient lifting hoist with a safe working load of 150kg. This lifter is ideally suited as a compact and lightweight hoist in a home care environment. The NEOS 150 Folding whilst being compact provides superior patient space. The NEOS 150 Folding in fact offers more patient space than most other larger size lifters. The swivel feature of the detachable yoke allows a patient to be rotated through 360° at full lift height, thus making the carer's job easier and safer.

- Folding Aluminium Lifter with a Safe Working Load (SWL) of 150kg
- Quick release folding structure enables lift to be conveniently folded for storage and transfer
- Electric raise and lower powered by Linak
- Foot pedal control for leg adjustment
- Equipped with 75mm front castors and 100mm locking rear castors
- Quick release yoke



Specifications:

Product Code	2878	Lift Range - Yoke	410 - 1650 mm
Base Width Min	615 mm	Castor Size	75 / 100 mm
Base Width Max	965 mm	Under Bed Clearance	135 mm
Folded Overall Length	1230 mm	Lifter Weight	35 kg
Folded Overall Width	400 mm	SWL	150 kg



NDIS

MASS



Featuring Linak Jumbo Care advanced diagnostic control system.



Staebel Sonata 150 Patient Hoist

A lightweight, compact mobile patient lifting hoist with innovative and ergonomic design the Sonata 150 is an easy to use everyday lifter. With a safe working load of 150 kg the Sonata offers an outstanding lift capacity in a small patient lifter. It utilises the SPACELINK™ concept, a breakthrough for optimised patient space, that enhances floor lift capability and increases maximum lifting height.

With maintenance free bushes in all the major moving parts this hoist is an Australian Made example of quality and strength that is hard to find in other patient lifters.

The Staebel range of patient lifting equipment including lifters and accessories has been designed and tested to comply with: AS ISO 10535-2002 Hoists for the transfer of disabled persons – Requirements and test methods.

- Manual leg adjustment is a standard feature.
- Supplied complete with battery, in-built battery charger and instruction manual.



Specifications:

Product Code	2880	Under Base Height	55 mm
Base Length	1005 mm	Maximum Hoist Reach	875 mm
External Base Width Closed	605 mm	Minimum Hoist Reach	555 mm
External Base Width Open	1070 mm	Hoist Reach at Maximum Height	555 mm
Internal Base Width Closed	510 mm	Mass of Heaviest Part (Mast Assembly)	22 kg
Internal Base Width Open	975 mm	Lifter Weight	41 kg
Base Width Adjustment	3 Position Manual	SWL	150 kg
Under Bed Clearance	130 mm	Also Available:	
Height of Yoke	420 - 1735 mm	Sonata 150 Patient Lifter with Electric Leg Spreader	
Hoisting Range*	870 mm	Product Code	2881
Minimum Storage Height	1260 mm		



Staebel Alto MKII 200 Patient Hoist

Alto Lift 200: A medium sized heavy duty mobile patient lifting hoist with a safe working load of 200kg and a compact ergonomic design. The Alto Lift 200, whilst being compact, provides superior patient lift space through the use of SPACE LINK™ technology.

The Alto Lift 200 is the lifter of choice for institutional use or home care where a high capacity lift is required. Designed and tested to comply with: AS ISO 10535-2002 Hoists for transfer of disabled persons - Requirements and test methods.



Specifications:

Product Code	2891	Maximum Height Yoke	1920 mm
Base Length	1150 mm	Average Lift Range	1620 mm
External Base Width Closed	700 mm	Minimum Storage Height	1350 mm
External Base Width Open	1130 mm	Under Bed Height	55 mm
Internal Base Width Closed	600 mm	Hoist Reach	610 - 1060 mm
Internal Base Width Open	1030 mm	Hoist Reach at Maximum Height	515 mm
Base Width Adjustment	Electric	Mass of Heaviest Part (Base Assembly)	24 kg
Underbed Clearance	130 mm	Lifter Weight	46 kg
Minimum Height Yoke	300 mm	SWL	200 kg

NDIS

MASS



Staebel Forte 320 Patient Hoist

With a safe working load of 320kg this extremely heavy duty mobile patient lifting hoist provides full bariatric capability whilst remaining a compact and ergonomic design. Manoeuvrability and exceptional under bed clearance are key design features.

FORTE 320 provides superior patient lift space through the combination of the recessed actuator and the use of SPACE LINK™ technology. The aesthetic design of the concealed electric leg mechanism provides infection control advantages.

FORTE 320 is the lifter of choice for institutional use where a high capacity bariatric lifter is required.



Specifications:

Product Code	2898	Under Bed Clearance	111 mm
Base Length	1420 mm	Minimum Yoke Height	245 mm
External Base Width Closed	715 mm	Maximum Yoke Height	1940 mm
External Base Width Open	1200 mm	Lifter Weight	63 kg
Internal Base Width Closed	600 mm	Minimum Storage Height	1445 mm
Internal Base Width Open	1080 mm	SWL	320 kg



Staebel Plastic Leg Protector

For Alto MKII 2000 Passive Hoist.

- Sold as each
- Secure press fit plastic protectors to minimise leg damage
- Easy clean option



Staebel Weighing Device

Weighing device designed to integrate with the Staebel Sonata and Staebel Alto.

Safe Weight Limit is 300kg.



Staebel Salsa Handle Kit

- Salsa Handle Kit to aid in increased patient security whilst lift is in motion
- Suitable for the Salsa Standing Lifter
- Optional Extra

Specifications:

Product Code 28803



Staebel Sling Bag

- Sling carry pouch, is effective for infection control where individual patient slings can be kept separate or for storage.
- Made from heavy duty green vinyl
- One size fits all sling sizes.

Specifications:

Product Code 2889



Stabel Quick Release Adapter

A unique shaped calf strap for use with the Staebel Salsa200 this has keyhole attachments and is made from neoprene for optimal comfort.

Specifications:

Product Code 27THK01



Staebel Pivot Frame with Weigh Scales

This is a universal weighing module that is useful for patients requiring constant monitoring of weight for general wellbeing. Weighing scale Safe Weight Limit 320kg. It is suitable for yoke or pivot attachment is useful where weighing of patients is difficult due to the level of support required.

Specifications:

Product Code 28804

Specifications:

Product Code 27QRA01

Specifications:

Product Code 2895



Staebel Standard Yoke

For Alto MKII 2000 Passive Hoist.

- Sold as each
- Secure press fit plastic protectors to minimise leg damage
- Easy clean option



Staebel Tri Hook Yoke

These three heavy duty hoists are available with a choice of 6 different sling attachment options. Achieve quality patient transfers by selecting the fitting which best suits your client or healthcare facility.

- Can be used with general purpose (loop attachment) slings



Staebel Four Point Yoke

- Salsa Handle Kit to aid in increased patient security whilst lift is in motion
- Suitable for the Salsa Standing Lifter
- Optional Extra

Specifications:

Product Code 2882

Specifications:

Product Code 2883

Specifications:

Product Code 2886



Staebel Pivot Frame

The pivot frame is used with the pivot sling. The frame spreads the sling attachment points to ensure the patients hips are not flexed excessively, avoiding discomfort some patients experience with standard slings. The ability to position a person in a sitting or lying position, assisting in providing correct seating and positioning.



Staebel Bariatric 4 Point Yoke

Staebel Patient Lifter Option - Bariatric 4-point Yoke spreader bar to suit Forte 320. Optimum patient space for larger patients.



Staebel Bariatric 4 Point Yoke with Weigh Scales

Staebel Patient Lifter Option - Bariatric 4-point Yoke spreader bar with integrated weighing device and cover to suit Forte 320.

Specifications:

Product Code 2884

Specifications:

Product Code 2873

Specifications:

Product Code 2899



Stael Hi - Lift Pivot Frame

- 2 sling attachment points at extremity of slightly curved yoke bar
- Can be used with general purpose (loop attachment) slings
- Padded vinyl cover with velcro closure



Stael Pivot Frame with Weigh Scale - Self Powered

The Self Power Pivot Frame is designed for self-powered patient positioning with no power required from the hoist. The integrated weigh scale is useful where weighing of patients is difficult due to level of support required.



Stael Pivot Frame - Self Powered

The Self Power Pivot Frame is designed for self-powered patient positioning with no power required from the hoist. The integrated weigh scale is useful where weighing of patients is difficult due to level of support required. The integrated weigh scale is useful where weighing of patients is difficult due to level of support required. SWL 320kg

Specifications:

Product Code 2885



Stael Standard Yoke with Weigh Scales

Complete as one attachment, this allows for standard lifting without losing any critical lift height with separate attachment. Weighing scale Safe Weight Limit 300kg.

- Suitable for Stael Sonata & Alto Hoists.

Specifications:

Product Code 2884-2



Stael Lifting Frame with Gliders

The Lifting Frame is an essential piece of equipment for the safe lifting and handling of patients requiring spinal or orthopaedic immobility.

The specialised frame made from a durable metal comes complete with 12 removable nylon gliders and can be dismantled for ease of storage. Strap kit sold separately. *Pictured being utilised with 4-point yoke. SWL 200kg.

Specifications:

Product Code 2884 - 1



Stael Strap Kit for Lifting Frame & Yoke

The floor lift strap kit is an excellent accessory for lifting a person on a lifting frame from off the floor. The floor lift strap kit is an excellent accessory for lifting a person on a lifting frame from off the floor.

Specifications:

Product Code 2894

Specifications:

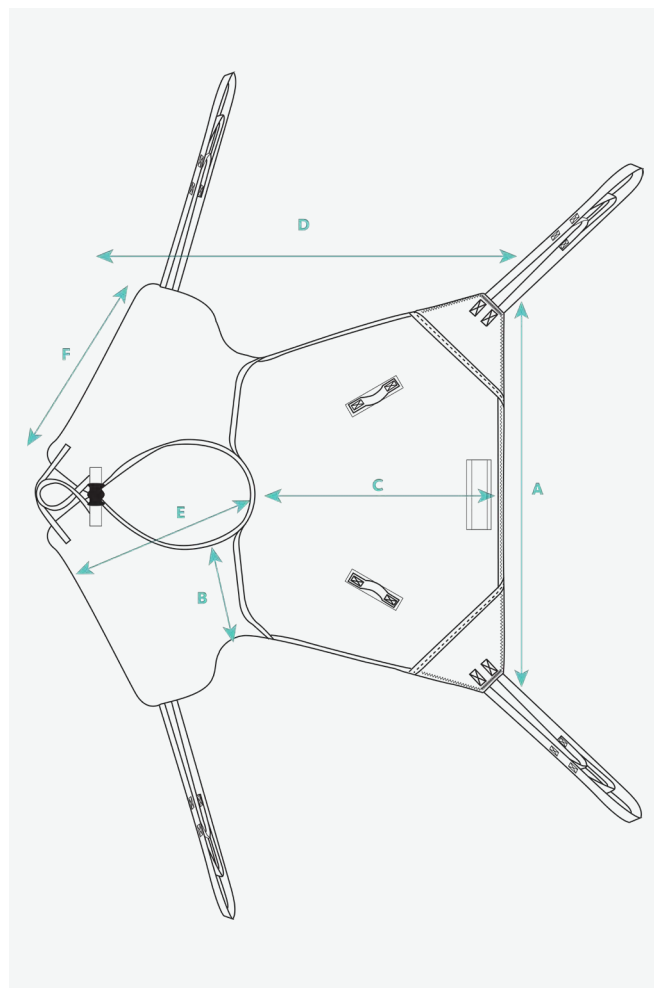
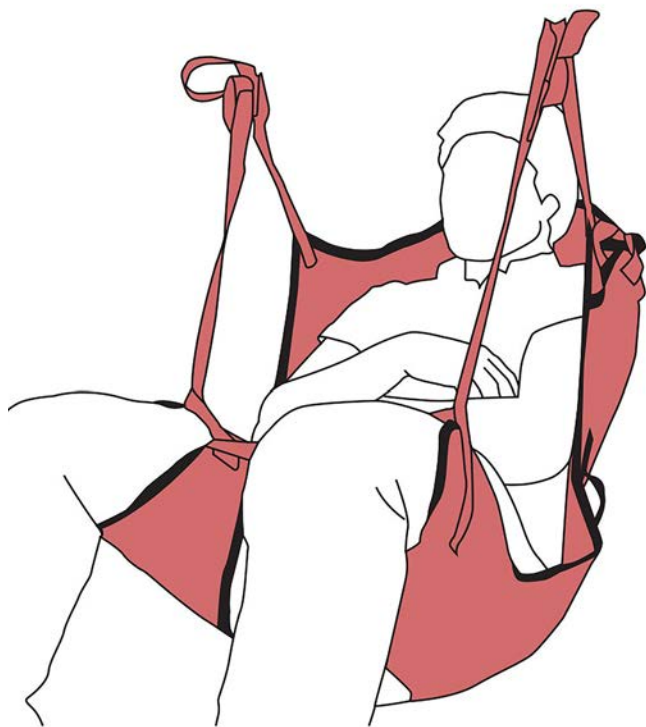
Product Code 227201

Specifications:

Product Code 27397

NDIS

MASS



Staebel Universal Deluxe Sling with Head Support

This sling is good for all standard transfers and is exceptionally comfortable for the patient. The leg sections are shaped to provide good support to the hip and thigh areas. It is designed to hold the leg more securely than standard sling leg sections, as the leg is held from both sides instead of just the inside of the leg. The leg sections also spread the load over a larger area on the patient's legs so tend to reduce the pressure on the underside of the legs.



Specifications:

Mesh

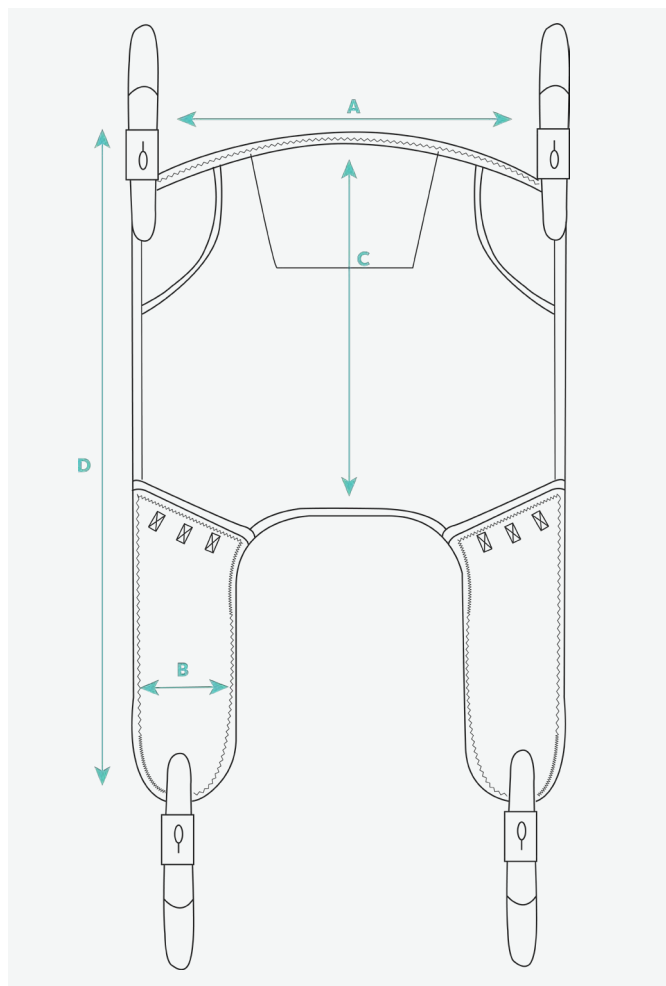
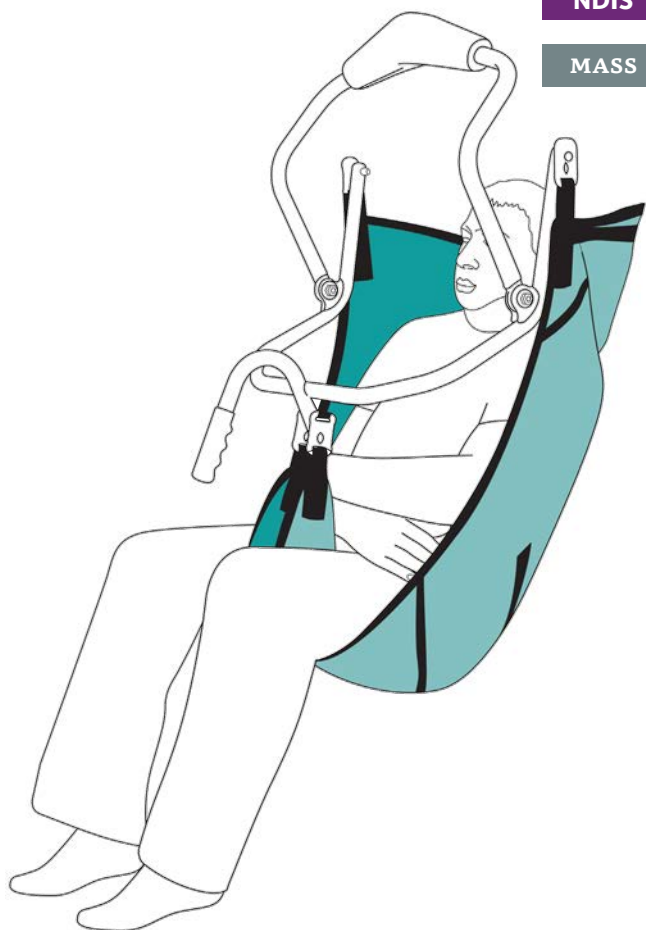
Product Code	227430	227431	227432	227433	227434
Size	Extra Small	Small	Medium	Large	Extra Large
A	715 mm	800 mm	900 mm	1000 mm	1105 mm
B	160 mm	185 mm	210 mm	235 mm	260 mm
C	685 mm	815 mm	945 mm	1075 mm	1205 mm
D	1000 mm	1175 mm	1355 mm	1535 mm	1710 mm
E	295 mm	340 mm	385 mm	430 mm	475 mm
F	375 mm	440 mm	500 mm	560 mm	625 mm

Parasilk

Product Code	227440	227441	227442	227443	227444
Size	Extra Small	Small	Medium	Large	Extra Large
A	715 mm	800 mm	900 mm	1000 mm	1105 mm
B	160 mm	185 mm	210 mm	235 mm	260 mm
C	685 mm	815 mm	945 mm	1075 mm	1205 mm
D	1000 mm	1175 mm	1355 mm	1535 mm	1710 mm
E	295 mm	340 mm	385 mm	430 mm	475 mm
F	375 mm	440 mm	500 mm	560 mm	625 mm

NDIS

MASS



Staebel Pivot Sling

The Pivot sling is designed for use with the pivot/tilt frame. It attaches with the keyhole tags engineered to the highest standards in strength and size tolerances and feature auto clip on action (no safety straps required). It

also features sling centre marking and positioning handles to assist correct positioning and woven label that will not wash out or fade.

***Available in Mesh and Fabric**



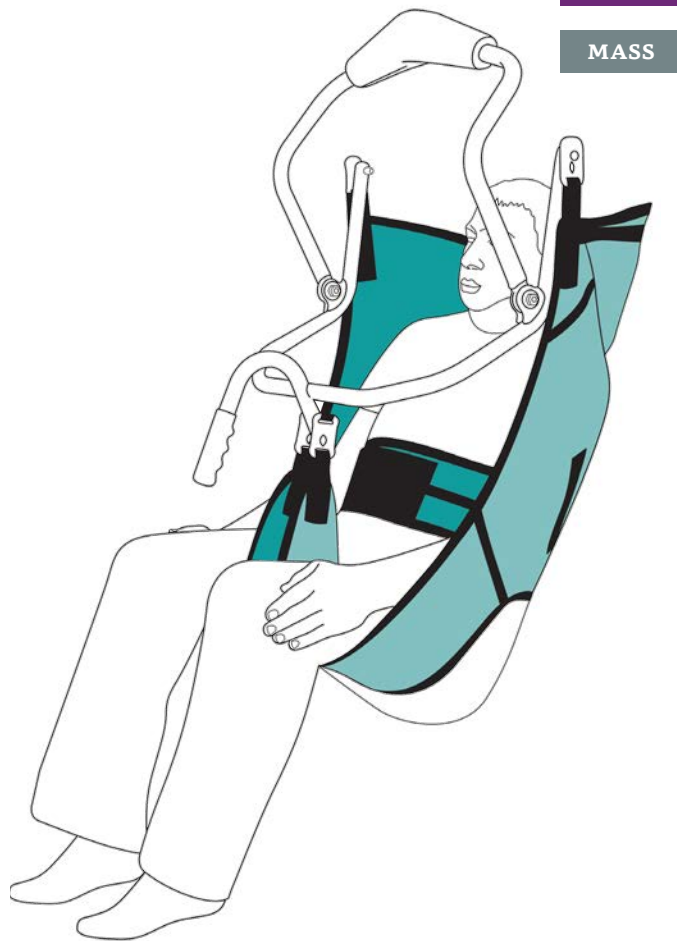
Specifications:

Mesh

Product Code	27P02XS	27P02S	27P02M	27P02L	27P02XL	27P02XXL
Size	Extra Small	Small	Medium	Large	Extra Large	Extra Extra Large
A	720 mm	870 mm	1000 mm	1080 mm	1170 mm	1320 mm
B	190 mm	230 mm	270 mm	260 mm	270 mm	290 mm
C	580 mm	830 mm	920 mm	1010 mm	1090 mm	1180 mm
D	870 mm	1220 mm	1310 mm	1410 mm	1540 mm	1710 mm

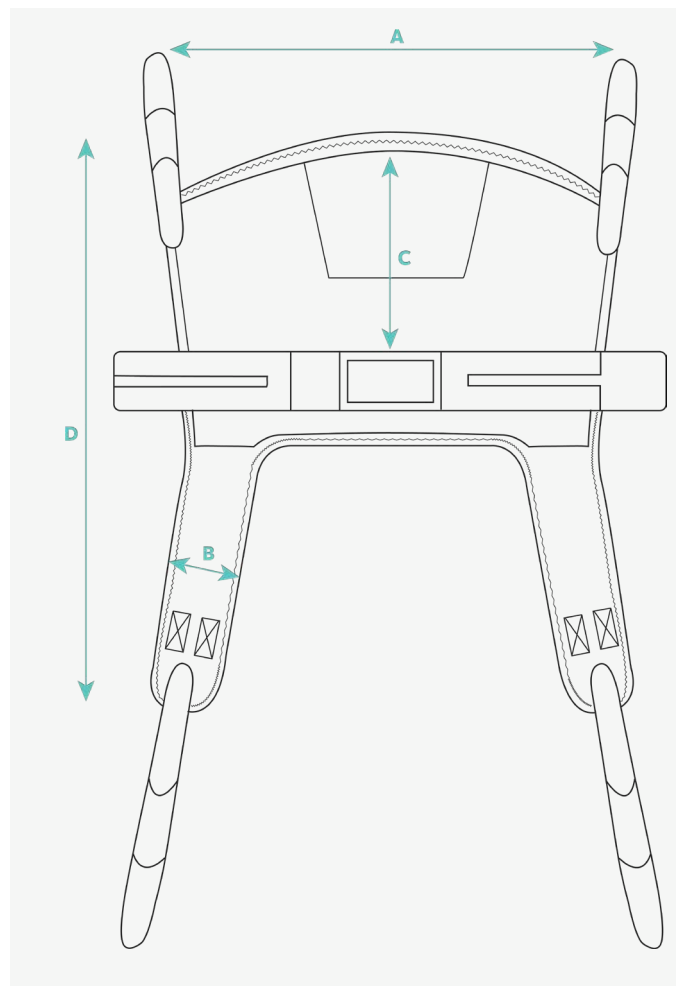
Fabric

Product Code	27P01XS	27P01S	27P01M	27P01L	27P01XL	27P01XXL
Size	Extra Small	Small	Medium	Large	Extra Large	Extra Extra Large
A	720 mm	870 mm	1000 mm	1080 mm	1170 mm	1320 mm
B	190 mm	230 mm	270 mm	260 mm	270 mm	290 mm
C	580 mm	830 mm	920 mm	1010 mm	1090 mm	1180 mm
D	870 mm	1220 mm	1310 mm	1410 mm	1540 mm	1710 mm



NDIS

MASS



Staebel Pivot Care Sling

The Staebel Care sling with head support has been designed for use with patients who need to have the sling remain in place whilst being toileted. This sling comes standard with head support for additional security when lifting a large patient.

The sling was designed so that clothing can be easily removed for toileting. The Hygiene model comes standard with a torso strap for optimum safety. The loop style attachments mean this is a sling used on a patient lifter with a yoke style attachment. The multiple loops allow for correct positioning of the client.

***Available in Mesh and Fabric.**



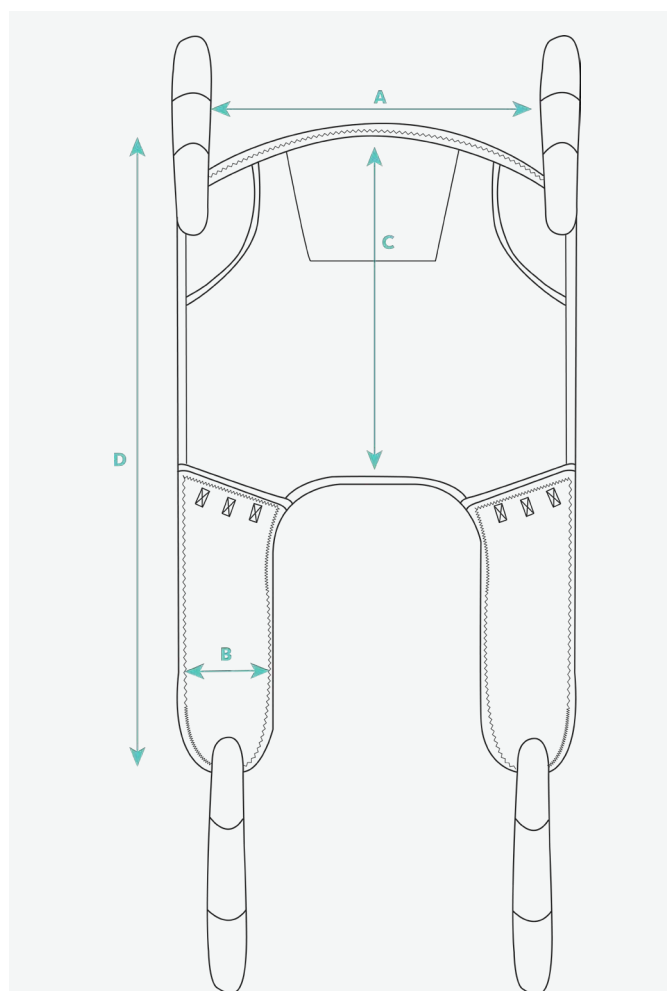
Specifications:

Mesh

Product Code	27PC02XS	27PC02S	27PC02M	27PC02L	27PC02XL	27PC02XXL
Size	Extra Small	Small	Medium	Large	Extra Large	Extra Extra Large
A	680 mm	840 mm	1020 mm	1030 mm	1220 mm	1240 mm
B	170 mm	210 mm	220 mm	220 mm	210 mm	210 mm
C	540 mm	630 mm	700 mm	790 mm	830 mm	790 mm
D	870 mm	1220 mm	1240 mm	1360 mm	1430 mm	1480 mm
T	980 mm	1180 mm	1220 mm	1320 mm	1440 mm	1660 mm

Fabric

Product Code	27PC01XS	27PC01S	27PC01L	27PC02L	27PC01XL	27PC01XXL
Size	Extra Small	Small	Medium	Large	Extra Large	Extra Extra Large
A	680 mm	840 mm	1020 mm	1030 mm	1220 mm	1240 mm
B	170 mm	210 mm	220 mm	220 mm	210 mm	210 mm
C	540 mm	630 mm	700 mm	790 mm	830 mm	790 mm
D	870 mm	1220 mm	1240 mm	1360 mm	1430 mm	1480 mm
T	980 mm	1180 mm	1220 mm	1320 mm	1440 mm	1660 mm



Stael General Purpose Sling with Head Support

The General Purpose Head Support sling, as the name suggests, is a full body support style sling and is recommended for general lifting and in situations of lifting from the floor, and for the less secure patient. The loop style attachments have three lengths at each connection point and are

used on a patient lifter with a yoke style attachment. Available in sizes from x-small through to XX-large, providing a popular choice for individuals and care facilities. Slings are manufactured from polyester fabric or mesh (suitable for bathing).

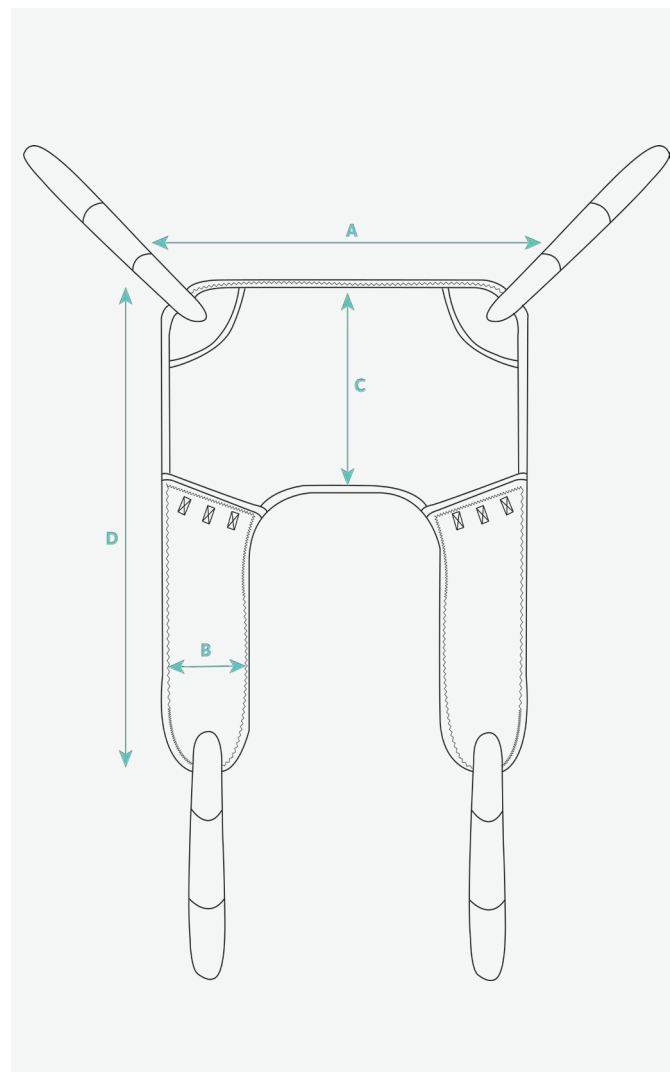


Specifications:

Mesh						
Product Code	27GPHS02XS	27GPHS02S	27GPHS02M	27GPHS02L	27GPHS02XL	27GPHS02XXL
Size	Extra Small	Small	Medium	Large	Extra Large	Extra Extra Large
A	820 mm	790 mm	920 mm	1110 mm	1270 mm	1360 mm
B	210 mm	230 mm	240 mm	260 mm	270 mm	290 mm
C	750 mm	780 mm	920 mm	1000 mm	1020 mm	1050 mm
D	1310 mm	1280 mm	1410 mm	1630 mm	1680 mm	1780 mm
Fabric						
Product Code	27GPHS01XS	27GPHS01S	27GPHS01M	27GPHS01L	27GPHS01XL	27GPHS01XXL
Size	Extra Small	Small	Medium	Large	Extra Large	Extra Extra Large
A	820 mm	790 mm	920 mm	1110 mm	1270 mm	1360 mm
B	210 mm	230 mm	240 mm	260 mm	270 mm	290 mm
C	750 mm	780 mm	920 mm	1000 mm	1020 mm	1050 mm
D	1310 mm	1280 mm	1410 mm	1630 mm	1680 mm	1780 mm

NDIS

MASS



Staebel General Purpose Sling

The General Purpose sling is a standard sling providing good support for those with some upper body control. Suitable for general lifting for patient lifters with a yoke style attachment, and available in sizes from X-small

to XX-large. Also with the option of fabric or mesh construction, this is a versatile sling that is simple and safe to use.



Specifications:

Mesh

Product Code	27GP02XS	27GP02S	27GP02M	27GP02L	27GP02XL	27GP02XXL
Size	Extra Small	Small	Medium	Large	Extra Large	Extra Extra Large
A	790 mm	790 mm	890 mm	1110 mm	1270 mm	1400 mm
B	210 mm	230 mm	240 mm	260 mm	270 mm	290 mm
C	470 mm	460 mm	530 mm	650 mm	730 mm	750 mm
D	1120 mm	1130 mm	1190 mm	1390 mm	1520 mm	1590 mm

Fabric

Product Code	27GP01XS	27GP01S	27GP01M	27GP01L	27GP01XL	27GP01XXL
Size	Extra Small	Small	Medium	Large	Extra Large	Extra Extra Large
A	790 mm	790 mm	890 mm	1110 mm	1270 mm	1400 mm
B	210 mm	230 mm	240 mm	260 mm	270 mm	290 mm
C	470 mm	460 mm	530 mm	650 mm	730 mm	750 mm
D	1120 mm	1130 mm	1190 mm	1390 mm	1520 mm	1590 mm

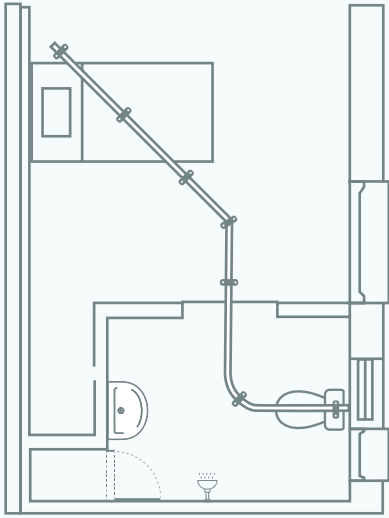
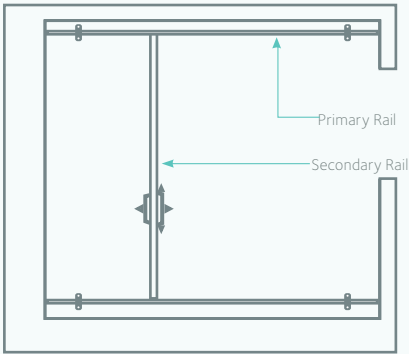
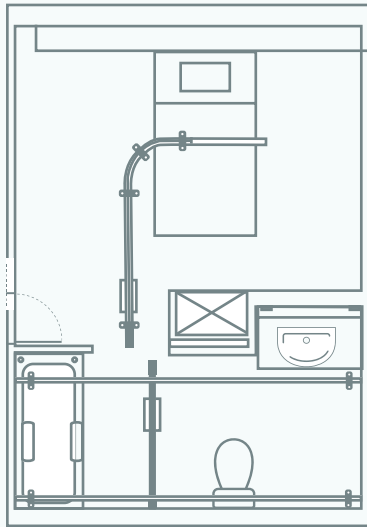
What is a ceiling hoist?

Ceiling Hoists are designed to assist with the manual handling of residents & patients. They're here to help reduce the risk of injury to carers, nurses and doctors. A ceiling hoist is an overhead hoisting system which can either be hung from the ceiling itself or hung from wall to wall. They are an effective alternative to a floorline hoist and are widely used in home care environments.

Build your Ceiling Hoist System

 <p>Choose Transfer Type</p>	Bed to Chair	Bed to Bathroom
	Bed to complete house	Full room access to bathroom
	Bariatric System	Access to other rooms

Choose Tracking System

<p>Basic Rail Systems</p> 	<p>Full Room Coverage System - XY Traverse</p> 	<p>Fully Integrated Rail System</p> 
---------------------------------------------------------------------------------------------------------------------	-------------------------------------------------------------------------------------------------------------------------------------------	----------------------------------------------------------------------------------------------------------------------------------

 <p>Weight Limit (SWL)</p>	200 kg	270 kg	
	350 kg	450 kg +	
 <p>Choose Motor Style</p>	Portable Hoist	Fixed Powered Traverse	
	Fixed Manual Traverse	Powered XY Motor	
 <p>Rail Options</p>	Ceiling Mount	Wall Mount	Freestanding

Ceiling Hoist Case Studies

XY system (H System) with Fixed Motor.



XY transitio system nshowing door cutout.



Curved single track transitioned from XY.



Straight track with power traverse motor.



XY system to transition gate showing door cutout.



Straight track with portable motor.



Single Gantry System with Fixed Motor.



Curved single track and straight track with in rail trolley.



Could not find the information you were after?

Contact our team for a consultation for more hoist options!



SugarGlider Monarch Portable Motor

The Monarch Portable Ceiling Hoist is one of the lightest on the market weighing only 5kg, whilst lifting the industry standard of 200kg. Ideal for occasional or multiple room use, the product is robust and charges with an AC Charger.

- Weight: 5KG
- Lifts per Charge: 30 to 40 cycles
- Track Options: H system, Turntable, Gate, Curves, Room-to-Room, Freestanding Gantry: 2m, 3m, 4.5m, 6m, 8m
- Track Compatibility: Compatible with all Monarch tracks

SugarGlider Monarch In Track Motor

The Monarch Fixed Ceiling Hoist is a complementary product to other products for individuals with mobility challenges. It is designed for use by caregivers and health professionals to lift and transfer a person in homecare, assisted-living or hospital environment.

- Unique Spreader Bar with Secure Sling Mechanism
- Fast - lifts up to 30% more quickly than other models
- Low lift clearance - slim profile means more room to manoeuvre patient
- Li-ion battery - recharges twice as fast as average competitor products
- Ultra lightweight - Weighing 8kg 35% lighter than competitors
- 200kg safe working load
- Ideal for Nursing Homes, Hospitals or Domestic Use



Specifications:

Product Code	272358000
Length	550 mm
Width	140 mm
Lifts per Charge	30 - 40 Cycles
Total Weight	4.8 kg
SWL	200 kg

Specifications:

Product Code	272358001
Length	640 mm
Width	300 mm
Lifts per Charge	30 - 40 Cycles
Total Weight	7.58 kg
SWL	200 kg

NDIS

NDIS



SugarGlider Transport Trolley

The SugarGlider Transport Trolley makes it a simple task to transport the portable ceiling hoist unit, reach stick and slings from one location to another.

- Two large shelves
- Features a unique column to store reach stick
- Four high quality swivel castors for ease of manoeuvrability
- Robust, heavy duty design favoured by many aged care facilities

Specifications:

Product Code	7426
Width	435 mm
Depth	575 mm
Height	950 mm

Flexi - Link Arm Reacher

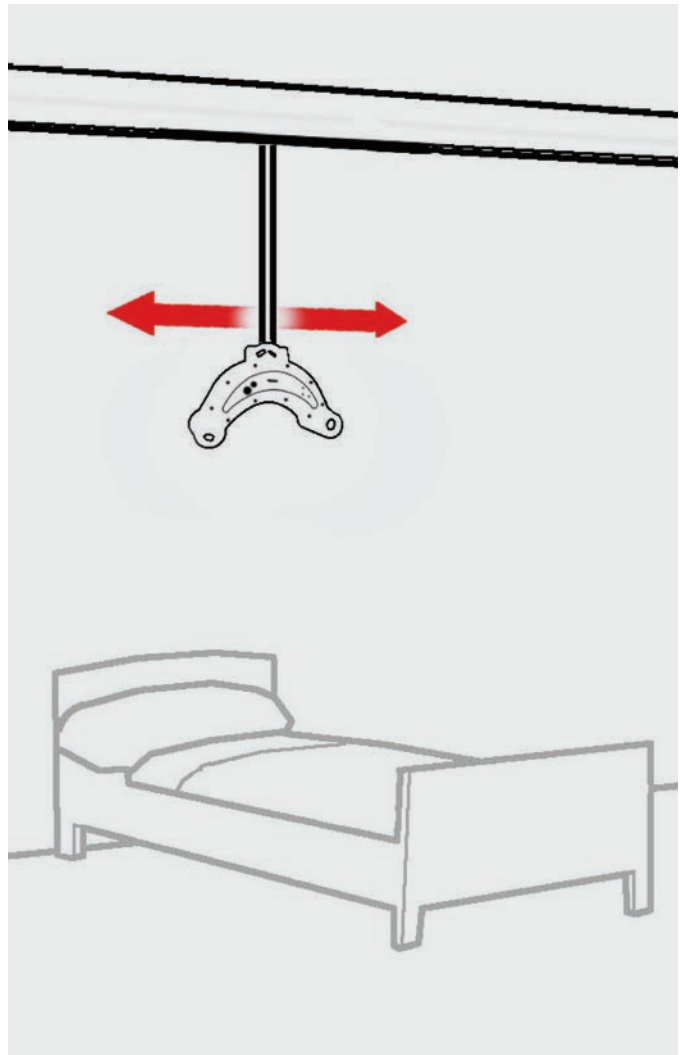
Efficient, safe and simple to operate. Our patented Flexi-Link connection system is today's most advanced device for connecting the portable lift to the trolley. Its removable wand allows carers to move around freely as there are no handles in place and travel of the hoist is not impeded by lights, fans or doors.

Specifications:

Product Code	7422FL
Length	600 mm

Also Available:

Product Code	7423FL
Length	900 mm



SugarGlider Nomad Portable Ceiling Hoist

The Nomad is a flexible and user friendly ceiling hoist. It is intuitive and easy to operate. The integrated handles make it truly portable. The curved shape is designed to afford user's head ample space while the integrated 4-point yoke gives ultimate safety, comfort and dignity during the lift and transfer. The user will feel, safe and stable without being squeezed.

The combination with a compatible sling ensures that the user will achieve a correct and comfortable sitting position. If rail installations through door openings are not possible, the Nomad can climb from room to room, i.e. from one rail system to another. The Nomad has an emergency lowering and an emergency stop, as well as a soft stop-start function to prevent abrupt movements.

- Lift speed 35 mm/s with soft start/stop function
- High battery performance (70+ lifts per charge)
- Easy overnight charge system
- Built in electronic lift counter
- Splash proof casing
- Lifting Height 2m



Specifications:

Product Code	7324
Length	520 mm
Width	198 mm
Height	330 mm
Lift Range (Length of Lift Strap)	1980 mm
Lifter Weight	6.8 kg
SWL	230 kg

Also Available:

Product Code	7325
Length	520 mm
Width	198 mm
Height	330 mm
Lift Range (Length of Lift Strap)	1980 mm
Lifter Weight	6.8 kg
SWL	255 kg

05.

Weighing

Sentida 7i Bed	47
Seca Weighing Chair	48
Staebel Chair Scale	48
Portable Wheelchair Scale with BMI	49
Seca 676 Wheelchair and Platform Scale	49



Sentida 7i Bed

Sentida 7-i is a nursing home bed which makes everyday life easier for both the nursing staff and residents with its sophisticated functions. It offers the highest degree of integrated intelligence with many innovative functions. Operation is intuitive and easy-to-understand, with interactive fittings completing the concept, which was designed for demanding nursing tasks to the highest of standards. Comfortable 7" LCD touchscreen.

- Mobi-Lift® for self-mobilisation
- Comfort resident handset
- 4-part mobilisation aid, each adjustable in 4 different heights
- 3-stop strategy
- BiNetic patient surface with dual retraction
- Night light function



NDIS

Specifications:

Product Code	77821C
Overall Dimensions	1060 x 2080 mm
Sleeping Surface Dimensions	900 x 2000 mm
Height Adjustment	275 - 800 mm
Angle Back / Knee	62° / 30°
TR / ATR Angle	15° / 15°
SWL	250 kg

NDIS



Seca Digital Chair Scale

Consideration and comfort – these are particularly prominent aspects of this extremely stable model with its circular steel tube frame. A comfortable seat provides a safe position, the swivelling armrests make it easy to move the patient from the bed on to the chair scale and the adjustable footrests increase ease of operation. The locking rear wheels ensure that it is safe to sit down and stand up at all times. The position of the LCD display unit behind the chair makes it easy to read and the many functions (including BMI) leave nothing to be desired.

This mobile chair scale, with AC adapter or battery power supply, is an invaluable aid everywhere: the rehabilitation centre, orthopaedic department, dialysis centre, at aged care facilities as well as in paediatrics and adolescent units – for small children who are already too big for baby scales. The practical Seca 471 pouch attached to the scale stores the AC adaptor.

- Flip up armrests
- Flip up footrests
- 300kg capacity
- Graduation: 50g up to 150kg, 100g thereafter
- In-built recalibration function
- 24 month warranty
- Functions: Automatic switch off, TARE, HOLD, BMI, kg/lbs/sts switch over



Specifications:

Product Code	2954
Width	563 mm
Depth	978 mm
Graduation (0kg to 150kg)	50 g
Graduation (Over 150kg)	100 g
Overall Height	330 mm
SWL	300 kg

NDIS



Stael Chair Scale

The Stael Chair Scale with its patented design maintains reliability and uncompromising precision. All of the user's care needs, including safety, comfort, care-giver's use and maintenance, are met. The compact design ensures the most cost efficient shipping method and reduces the risk of carer strain particularly when weighing an obese/bariatric patient.

Unique base frame design gives care staff assurance that scale is compatible with other equipment utilised in care setting (e.g.. Full-sling/Standing hoist, Regency chair)

- Twin wheel castors are standard and do not create excessive noise when wheeling scale along a corridor
- One piece footplate flips up and has been designed with skin tear prone patients in mind
- Armrests flip back to allow scale to be utilised in bariatric care setting
- Base frame comes standard with a level indicator
- BMI function/ Tare/Zero/Hold/Print/kg/lb
- Scroll Down/Up on LCD screen
- 5 digit ¾" LCD screen that can be tilted to accommodate different care staff heights
- Automatic re-weigh
- Up-datable firmware
- Ports: RS232 and USB
- Amazing lightweight yet durable construction – only weighs 17.5kg
- 24 month warranty



Specifications:

Product Code	2957
Seat Width	430 mm
Seat Depth	420 mm
Overall Width	630 mm
Overall Height	965 mm
SWL	300 kg



Portable Wheelchair Scale with BMI

- One-piece and multifunctional
- Large weighing area
- Fitted castors for easy transportation
- Easy to store
- 2 ramps
- Ccolumn for display available as an accessory
- Handrails are an optional accessory
- Tare to deduct weight of wheelchair



Specifications:

Product Code	2637
Width	1150 mm
Length	800 mm
Depth	66 mm
SWL	300 kg



Seca 676 Wheelchair & Platform Scale

Stable, functional and mobile: thanks to its large platform and sturdy handrail, the seca 676 is extremely versatile.

Patients can be weighed while sitting in a wheelchair or on a chair. The handrail provides valuable support for people who are frail or can walk only with great difficulty. Its high load capacity makes the seca 676 ideal for weighing very heavy patients. After use the scale can be folded together to save space. The sturdy locking device between rail and platform ensures that the seca 676 stands safely even when folded. The handrail also serves as handle when the scale is folded, allowing the scale to be moved around or stowed away effortlessly and quickly on its transport castors. Weighing is simple and user-friendly with the clearly designed, operable display at hip level, additional functions of TARE, auto-HOLD, BMI and the SEND key to transmit measurements wirelessly to a seca wireless printer or the PC.

- Generously sized platform.
- Very stable railing as standing aid.
- Foldable and mobile.
- Pre-TARE function with three memory cells.
- At the press of a button measured results can be transmitted wirelessly to a seca wireless printer or a PC.



Specifications:

Product Code	22676
Platform Width	760 mm
Platform Height	55 mm
Platform Length	930 mm
Overall Width	920 mm
Overall Height	1120 mm
Overall Length	1150 mm
SWL	360 kg

We are
Here to Help



Let's have a chat!

If you see something you like, you can book in your consultancy with one of our friendly team members. See below information for ways you can get in contact...

1800 267 267 | www.activemedicalsupplies.com.au | hello@activemedicalsupplies.com.au

activeMEDICAL
SUPPLIES > SOLUTIONS > SUPPORT

P. 1800 267 267 | **F.** 07 3899 8825
E. hello@activemedicalsupplies.com.au

www.activemedicalsupplies.com.au